

## ViewBoard® 65" 4K Interactive Display

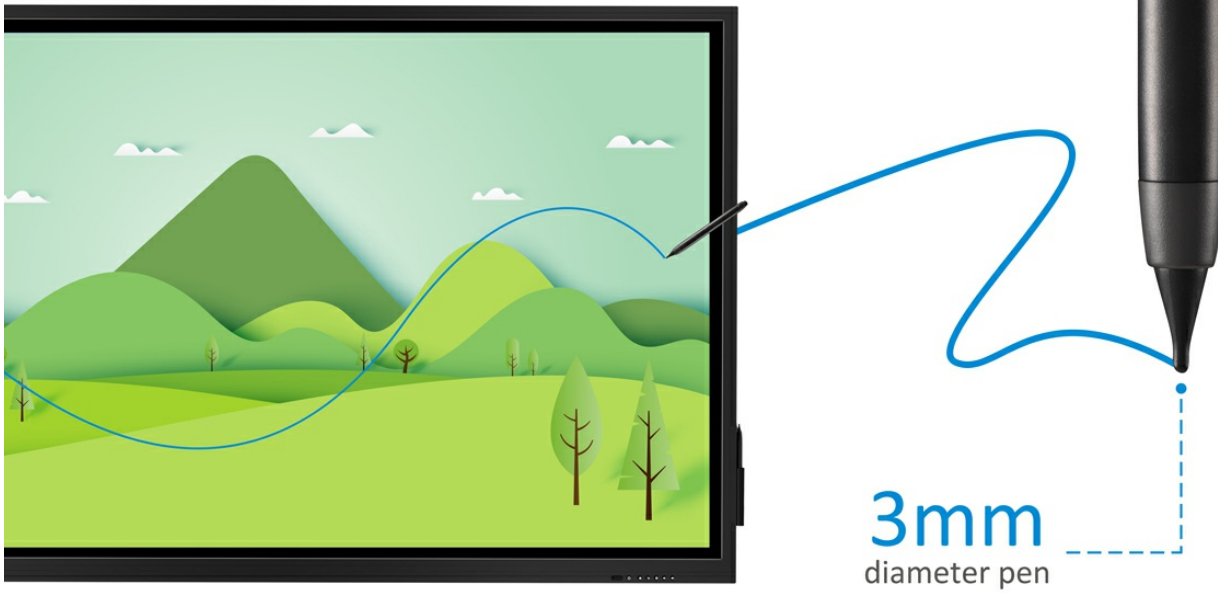


- UFT (Ultra Fine Touch) Technology
- myViewBoard™ digital whiteboard software
- Dual-pen writing with 3mm/8mm diameter pen tips
- Ambient Light Sensor
- ENERGY STAR® certified

The ViewBoard® IFP30 series embraces UFT (Ultra Fine Touch) Technology to offer more precise writing and faster processing time than traditional IR panels. 2mm height sensitivity increases writing accuracy while allowing for dual-pen annotation with both 3mm & 8mm diameter pens. It's also incredibly responsive, distinguishing the different touch diameters among pens, fingers and palms to avoid false strokes. In addition, the IFP30 series is integrated with myViewBoard™ digital whiteboard software to provide collaboration on the go, and is further complimented by native casting including Miracast, Airplay, and Chromecast. Interactive whiteboards are becoming commonplace. The IFP30 series is the solution for schools and workplaces of all sizes and considerations.

### UFT Technology

Ultra Fine Touch Technology produces a lag-free, pen-on-paper writing experience. Writing accuracy is greatly improved and student-teacher interaction flows more naturally thanks to real-time response rates, dual-pen recognition and our new 3mm tipped pens.



## Dual-Pen

Automatically detect pen diameter (8mm & 3mm) and write simultaneously with different colours and thicknesses.



## Full Native Performance on Android

Built-in myViewBoard™ digital whiteboard software to collaborate on the go.



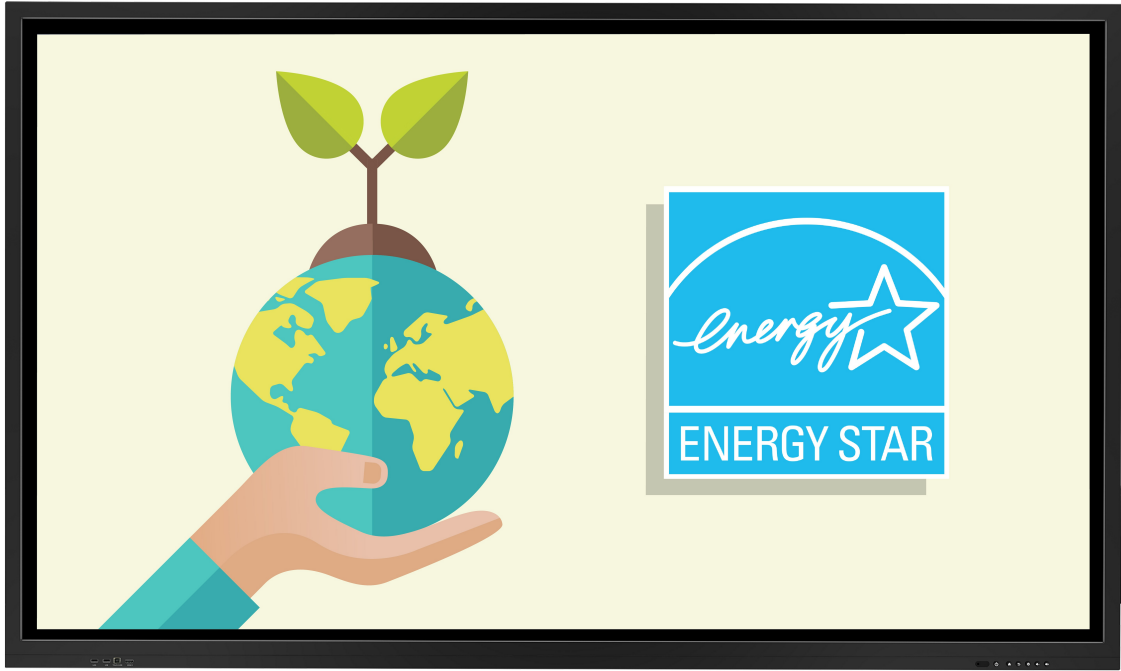
## Wireless Content Sharing

Content sharing with built-in ViewBoard® Cast software.



## Environmental Sustainability

ENERGY STAR certified for increased energy efficiency.



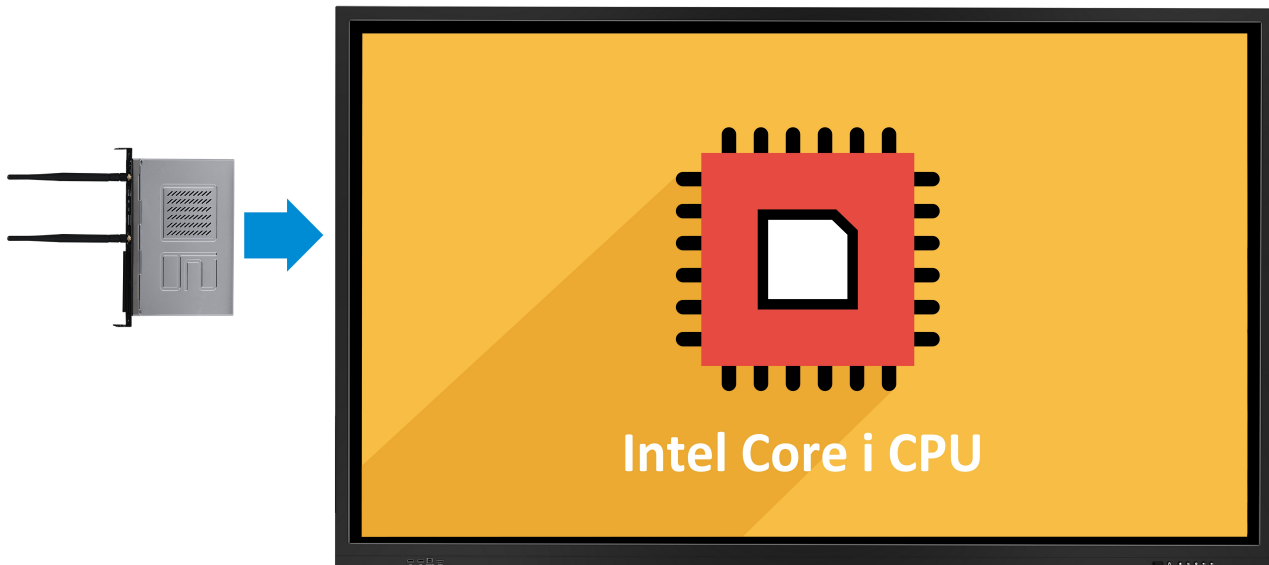
## Ambient Light Sensor

Automatically adjust the brightness to relieve eye strain.

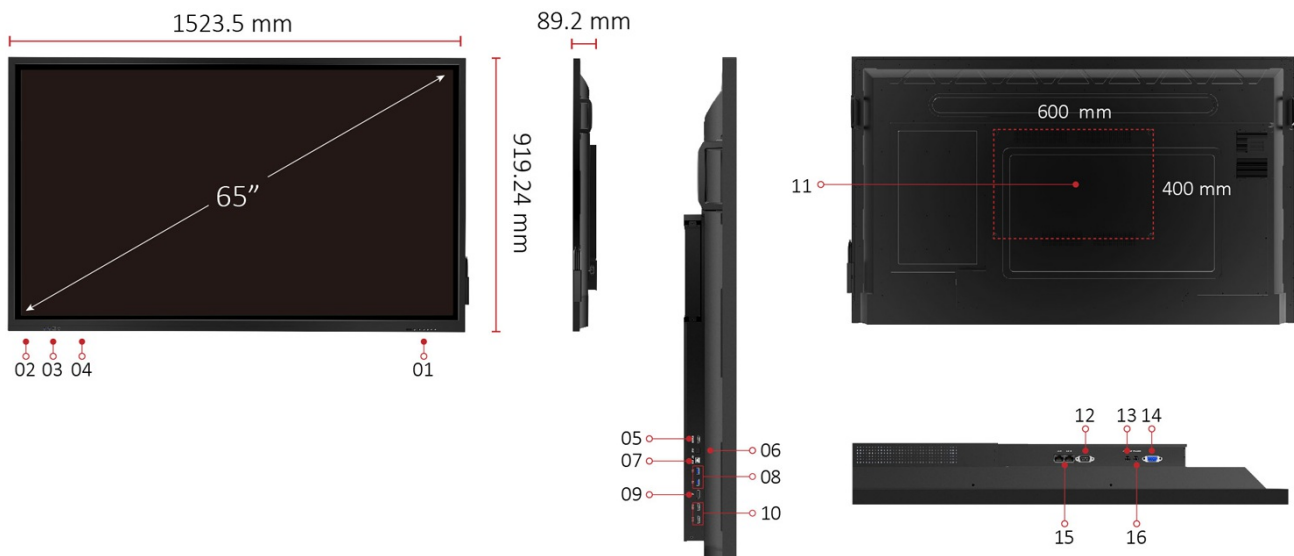


## Slot-in PC

Intel OPS PC allows for efficient deployment and easy maintenance (Optional).



## I/O Ports



1. CONTROLS PANEL
2. USB X 2
3. TOUCH USB
4. HDMI IN
5. HDMI OUT
6. SPDIF OUT
7. TOUCH USB
8. USB X 2
9. DISPLAY PORT IN
10. HDMI IN X 2
11. VESA® WALL Mount 600x400 mm
12. RS232 IN
13. AUDIO OUT
14. VGA IN
15. LAN X 2
16. PC AUDIO IN

## Technical Specifications

<b>Display</b>	<b>Panel Size</b>	65"
	<b>Type/Tech</b>	IPS/V-by-one
	<b>Display Area (mm)</b>	1428.48*803.52mm
	<b>Aspect Ratio</b>	16:9
	<b>Native Resolution</b>	4K60hz
	<b>Colours</b>	10 bits
	<b>Brightness</b>	360(Typ.) 320(min.)
	<b>Contrast Ratio</b>	1200:1
	<b>Response Time</b>	6ms(Type)
	<b>Viewing Angles</b>	H = 178, V = 178 typ.
	<b>Backlight Life</b>	30,000hr(min)
	<b>Surface Treatment</b>	Hardness: 7H Costing: AG coating Thickness: 4mm
	<b>Bezel</b>	29/29/29/49.7mm(btm.)
	<b>Orientation</b>	Landscape
<b>Platform</b>	<b>Processor</b>	ARM Cortex-A73*2 + Cortex-A53*2 1.5Hz
	<b>RAM</b>	3GB DDR4
	<b>Storage</b>	16GB
<b>Touch</b>	<b>Type/ Tech</b>	IR Recognition
	<b>Touch Resolution</b>	32767W*32767D
	<b>Touch Point</b>	20 points 10 writing
<b>INPUT</b>	<b>HDMI</b>	Front*1 Rear* 2 All ports HDMI2.0
	<b>RGB / VGA</b>	1
	<b>DisplayPort</b>	DP1.2*1
	<b>Audio</b>	PC audio in (3.5 mm)*1
	<b>RS232</b>	x1
	<b>OPS</b>	1
	<b>OUTPUT</b>	<b>HDMI</b>
<b>Audio</b>		3.5mm Earphone Out *1, SPDIF*1
<b>SPDIF</b>		x1
<b>LAN</b>	<b>RJ45</b>	*2 10M/100
<b>USB</b>	<b>Type A</b>	USB2.0 *4 (Front:*2 Rear: *2 )
	<b>Type B</b>	For touch (Front*1, rear*1))
<b>SPEAKERS</b>	<b>SPEAKERS</b>	15WX2
<b>Camera plate on top for screw-in webcam installation</b>	<b>Camera plate on top for screw-in webcam installation</b>	yes
<b>COMPATIBILITY</b>	<b>RGB PC/HDMI PC</b>	VGA: 1080p HDMI: 4K
	<b>HDMI</b>	3840x2160

	<b>DisplayPort</b>	3840x2160
<b>Embedded OS</b>	<b>Embedded OS</b>	OS 8.0 Resolution: 1080p
<b>Power</b>	<b>Voltage</b>	PB model: 100-240VAC +/- 10% Wide Range
	<b>Consumption</b>	On:129W(Typ.) Off: <0.5W
<b>ERGONOMICS</b>	<b>Wall Mount (VESA®)</b>	400*600
<b>OPERATING CONDITIONS</b>	<b>Temperature (° C)</b>	0°C to 40°C
	<b>Humidity</b>	20% ~ 80% RH Non-Condensing(working)
<b>DIMENSIONS (W x H x D)</b>	<b>Physical (inch / mm)</b>	1523.5*919.24*89.2(mm) 59.98*36.19*3.51(inch)
	<b>Packaging (inch / mm)</b>	1660*1045*245(mm) 65.4*41.1*9.6(inch)
<b>WEIGHT</b>	<b>Net (lb / kg)</b>	97.4lb/44.2kg
	<b>Gross (lb / kg)</b>	126.8lb/57.5kg
<b>REGULATIONS</b>	<b>REGULATIONS</b>	EMC/CE-EU CB-EU/IEC62368 RoHS Green BOM & RoSH DoC REACH WEEE (Doc & Disassembly report) ErP EAC(local apply) UKrSEPRO(local apply) BIS-India
<b>Energy Star version</b>	<b>Energy Star version</b>	YES
<b>EEL rating</b>	<b>EEL rating</b>	A
<b>PACKAGE CONTENTS</b>	<b>PACKAGE CONTENTS</b>	<ol style="list-style-type: none"> <li>1. US/EU/UK/AU power cord 3M, no PE bag</li> <li>2. QSG</li> <li>3. Compliance statement</li> <li>4. HDMI cable 3M*1</li> <li>5. Touch USB cable 3M *1</li> <li>6. Touch PEN *2. Extra tip: Thick*2, thin*1</li> <li>7. Remote control with AAA batteries (VS version)</li> <li>8. Webcam plate with screws pack <ol style="list-style-type: none"> <li>a. Need to compatible with Logi CC4000e)</li> <li>b. Add screw holes on top of the frame</li> </ol> </li> <li>9. Pen tray*1 (two pen, detachable, mount for both side)</li> <li>10. Wall mount screws</li> </ol>
<b>Compatible Slot-in PC</b>	<b>Compatible Slot-in PC</b>	VPC12 series

**Contact Us.**

**Head Office.**  
Ruko Sampoerna Square No.15, Jl. Raya Hankam, Jatiraden, Jatisampurna, Bekasi 17433  
Telp. (021) 22813394 – info@mandiriarthasolusi.co.id – www.mandiriarthasolusi.co.id

**Branch Office.**  
Ruko Derwati Mas Estate, No. 31, Jl. Derwati Raya, Kel. Derwati, Kec. Rancasari – Bandung 40292  
Telp. (022) 87311487

**Follow Us.**







Mandiri Artha Solusi | mandiriartha | 0812 1111 2948